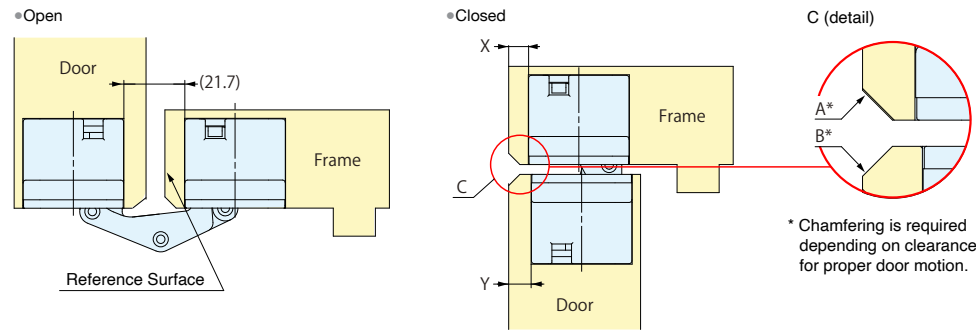
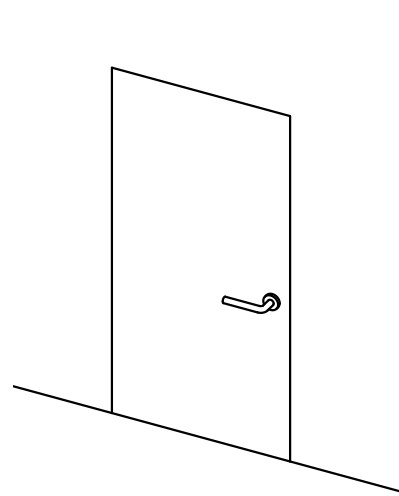


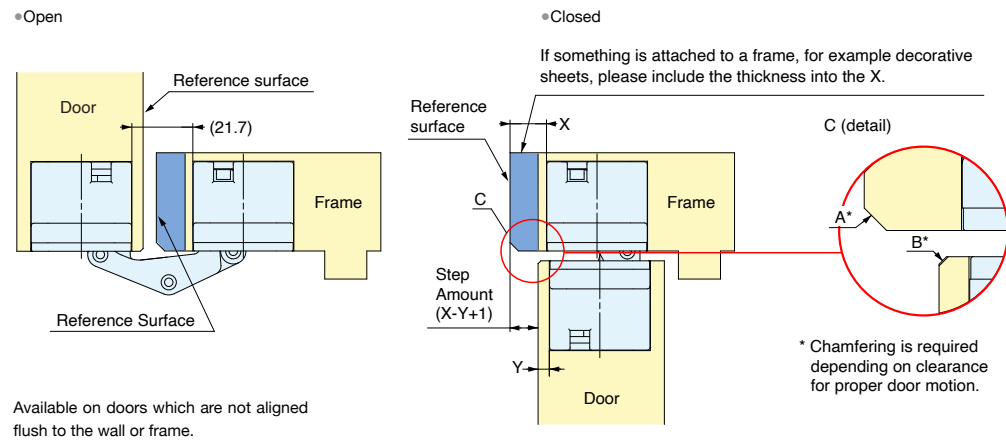
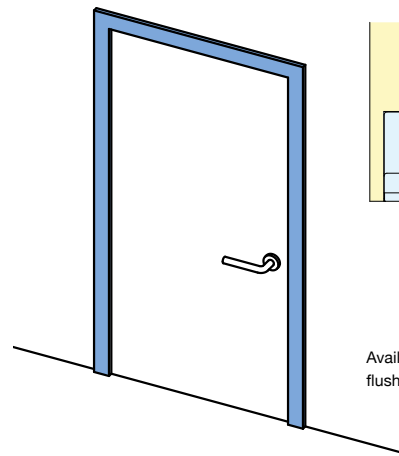
Flush Installation



Y	B	X	A
Door Clearance 4 and under	Door Chamfering 0	Frame Clearance 3 and under	Frame Chamfering 0
5	1	4	1
6	2	5	2
7	3	6	3
8	4	7	4
9	6	8	6

* Chamfering is required depending on clearance for proper door motion.

Installation with Molding



Available on doors which are not aligned flush to the wall or frame.

* Chamfering is required depending on clearance for proper door motion.

Y	B	X	A	X-Y+1
Door Clearance	Door Chamfering	Frame Clearance	Frame Chamfering	Step Amount
3	0	3 to 12	0	1 to 10
		13	1	11
		14	2	12
		15	4	13
4	1	3 to 10	0	0 to 7
		11	1	8
		12	2	9
		13	3	10
5	2	14	4	11
		3 to 6	0	-1 to 2
		7	1	3
		8	2	4
		9	3	5
		10	4	6
		11	4	7
5	3	12	5	8
		13	6	9

Y	B	X	A	X-Y+1
Door Clearance	Door Chamfering	Frame Clearance	Frame Chamfering	Step Amount
6	3	3 to 6	0	-2 to 1
		7	1	2
		8	2	3
		9	3	4
		10	4	5
		11	5	6
7	4	12	6	7
		3 to 6	0	-3 to 0
		7	1	1
		8	2	2
		9	3	3
8	5	10	5	4
		11	7	5
		3 to 6	0	-4 to -1
		7	1	0
8	6	8	3	1
		9	5	2
		10	7	3

LIT-HES3DW190-2025



Concealed Hinge for Cladded Doors

The HES3D-W190 is the UL rated, 3-way adjustable, concealed hinge you know from Sugatsune, now available for cladded doors. Never compromise style or quality for functionality.



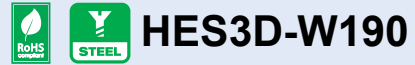
Sugatsune America
18101 Savarona Way,
Carcon, CA 90746
www.sugatsune.com



Share or watch this video featuring our HES3D-W190 hinge for cladded doors



3-WAY ADJUSTABLE CONCEALED HINGE For Door Moldings



Select models only

- Has a long arm for a wider throw, allowing 3/8" (10 mm) clearance for flush installation or 1/2" (13 mm) clearance for installation with a molding. Opens to 180°.
- Features 3-way adjustability (vertical, horizontal and depth).
- UL Rated, up to 3 Hours (DC, DN, and BL models only)
- Flanges come apart for the door to be provisionally hung for making adjustments. This provides a quick and easy installation when ready for fixing screws.
- Replacement screw covers available for all finishes.
- Only the HES3D-W190PN model includes metal cover plates*, all other models include plastic cover plates.

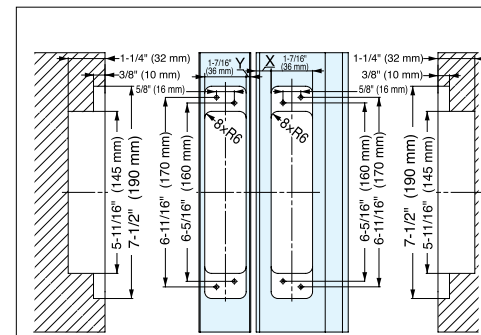
No.	Part Name	Material	Finish/Color				
			DC	DN	BL	PN	WT
1	Body	Zinc Alloy (ZDC)	Satin	Nickel	Enamel Black	Nickel	Enamel White
2	Base Frame						
3	Arm	Aluminium Alloy					
4	Shaft	Stainless Steel	Plain	Plain	Plain	Plain	Plain
5	Screw Cover	ABS/Stainless Steel*	Silver	Dull Nickel	Black	Nickel	White

Item Name	Finish	Door Size			Door Weight		Opening Angle	Weight (g)	Box (pcs)	Carton (pcs)
		Width	Height	Thickness	2 pcs	3 pcs				
HES3D-W190DC-UL	Dull Chrome	Max. 36" (915 mm)	Max. 96-1/16" (2440 mm)	Min. 1-5/8" (42 mm)	Max. 220 lbs (100 kg)	Max. 275 lbs (125 kg)	180°	1231	-	12
HES3D-W190DN-UL	Dull Nickel								2	12
HES3D-W190BL-UL	Black								2	12
HES3D-W190WT-UL	White								2	12
HES3D-W190PN	Polished Nickel								2	12



HES3D-W190DC-UL HES3D-W190DN-UL HES3D-W190BL-UL HES3D-W190WT HES3D-W190PN

Cut-Out Dimension



Please drill prepared holes for the tapping screws if the optional jig (HES3D-W190-TMP) is not used.

