

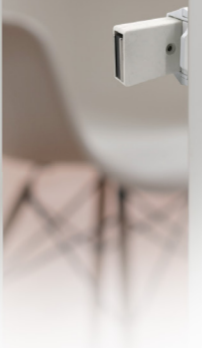
TRANSPORTATION RV & CONVERSIONS



SUGATSUNE

PUSH-TO-OPEN DOOR LATCH

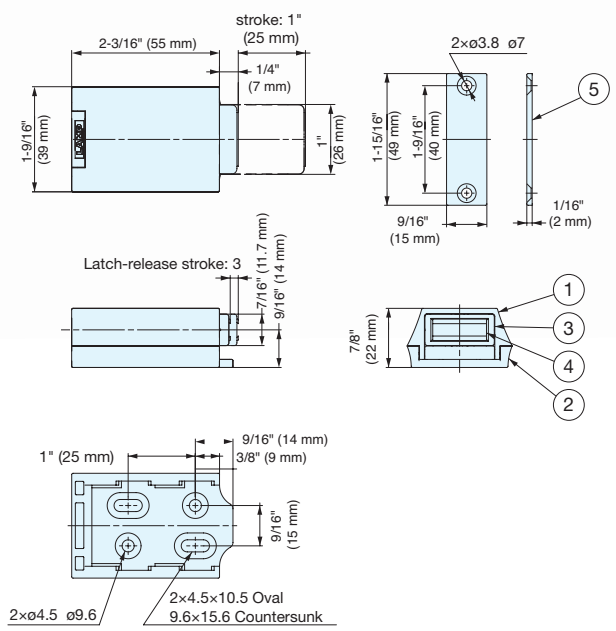
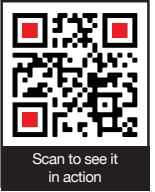
ML-ZN80



The Magnetic Touch

The mighty **ML-ZN80 Push-To-Open Door Latch** featuring a strong 11 lbs push force, ideal for large doors up to 275 lbs, it features a magnet that allows tolerance with 1.5° swivel. The hidden mounting screw design offers a clean appearance and easy two part installation, available in two finishes.

The only Push-To-Open Door Latch of this category, available in the market.

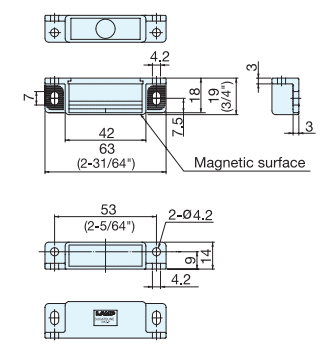
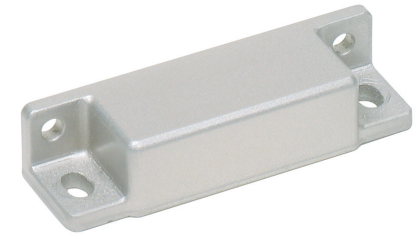


- For doors up to 36" x 96". Ideal for use with the HES3D-E190/W190 Concealed Door Hinge Series.
- Push force of 11 lbs. Can push up to 275 lbs door.
- Hidden Mounting Screw Design for clean appearance and easy installation.
- Passed 100,000 open/close private cycle test.

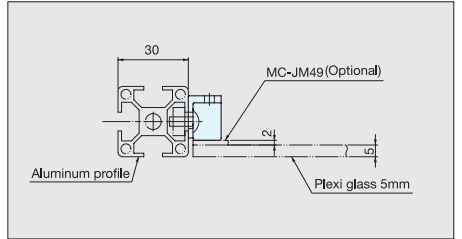
No.	Part Name	Material	Finish/Color
①	Body	Zinc Alloy	White (WT), Black (BL)
②	Mounting Plate		
③	Latch	Plastic (PA)	-
④	Magnet	Ferrite	-
⑤	Strike Plate	Stainless Steel	Polished

Item No.	Magnetic Force	Push Force	Weight (g)	Max. Door Specs (Reference)			Box (pcs)	Carton (pcs)
				Height	Width	Weight		
ML-ZN80WT	6.6 lbs (3 kg)	11 lbs (5 kg)	160	96-1/16" (2440 mm)	36" (915 mm)	275 lbs. (125 kg)	10	40
ML-ZN80BL								

SEALED MAGNETIC CATCH



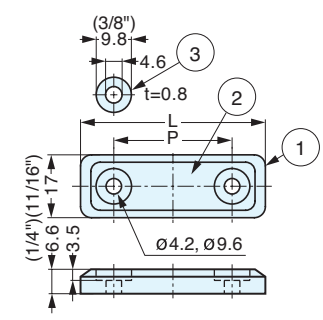
- Hermetically sealed, ideal for high corrosion environments.
- No metal-to-metal contact, ideal for cleanroom applications.
- Strong magnetic force.
- Optional counterplate sold separately:
 - Stainless Steel - MC-JM49, AS-68
 - Plastic Sealed - MC-JMP45



Item No.	Magnetic Force (kg)	Weight (g)	Box (pcs)	Carton (pcs)
MC-JM63G15	1.5 (3.3 lbs)	20	50	500
MC-JM63G30	3.0 (6.6 lbs)			
MC-JM63G50	5.0 (11 lbs)	40		

Part Name	Material	Finish/Color
Body	Polyacetal	Light Grey
Magnet	Neodymium	-

SEALED MAGNETIC CATCH



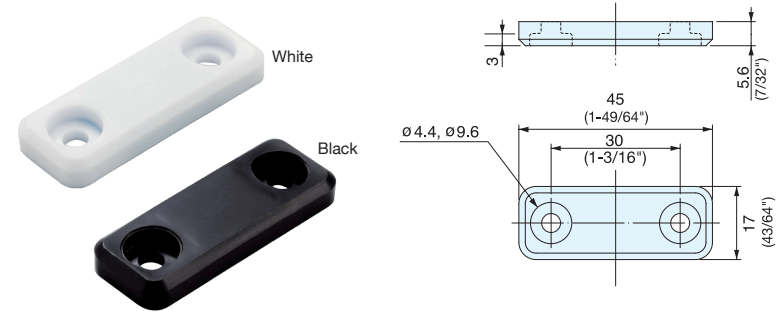
- Sealed with silicon rubber to reduce noise when door closes.
- Strong magnetic force.
- Optional counterplate sold separately:
 - Stainless Steel - MCJM49, AS-68
 - Plastic Sealed - MC-JMP45
- Screws not included: M4 truss screw recommended.

No.	Part Name	Material	Finish/Color
①	Body	Silicone Rubber	Blue
②	Magnet	Neodymium	Nickel
③	Washer	304 Stainless Steel	Plain

Item No.	L	P	Magnetic Force (kg)	Weight (g)	Box (pcs)	Carton (pcs)
MC-MSH45BU	45 (1-49/64")	27 (1-1/16")	2.0 (4.4 lbs)	12	100	1000
MC-MSH50BU	50 (1-31/32")	32 (1-17/64")	4.0 (8.8 lbs)	15		



SEALED COUNTERPLATE



- Hermetically sealed strike eliminates metal particles when applied with MC-JM sealed magnetic catches.
- Same design as MC-JM45WT, MC-JM45BL- Blue marking on the back side to distinguish strike plate from magnet.
- Note: Only MC-JMPWT is NSF certified

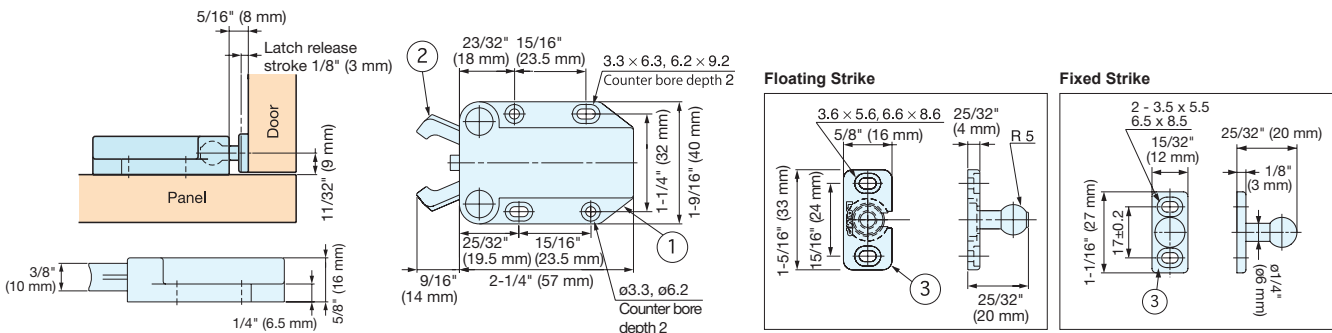
Part Name	Material	Finish/Color
Body	Polypropylene	White (WT)/Black (BL)
Plate	Steel	Plain

Item No.	Weight (g)	Box (pcs)	Carton (pcs)
MC-JMP45WT	8.5	100	1000
MC-JMP45BL			

NON-MAGNETIC TOUCH LATCH



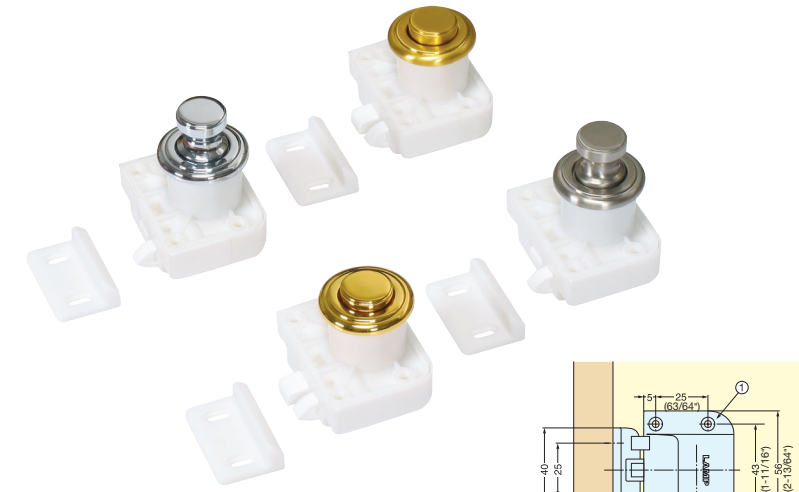
- Push to latch/unlatch.
 - Strong retaining force.
 - Floating strike models allows for easy alignment.
 - Fixed strike model in black finish also available.
- Note:**
- For overlay door, allow 1/8" (3 mm) gap between door and cabinet frame for push space.
 - Pulling the door with excessive force without unlatching the unit may damage the mechanism.
 - Constant loading of over 4 kgf or excessive pushing or pulling is not recommended.



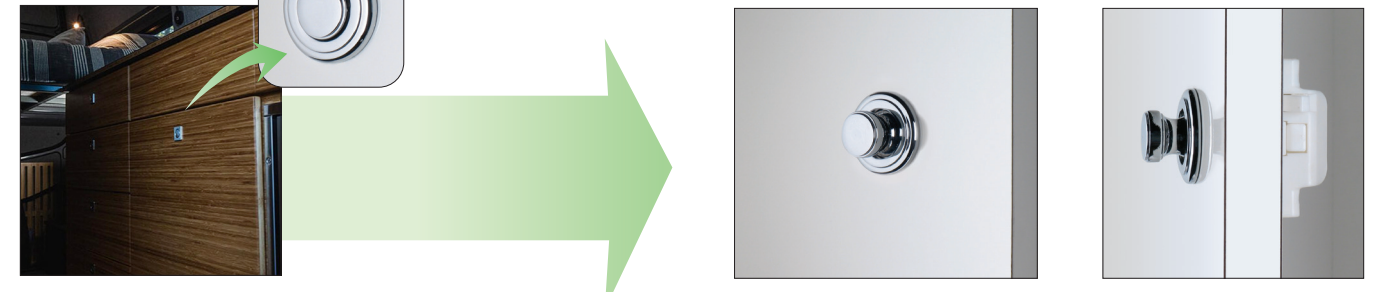
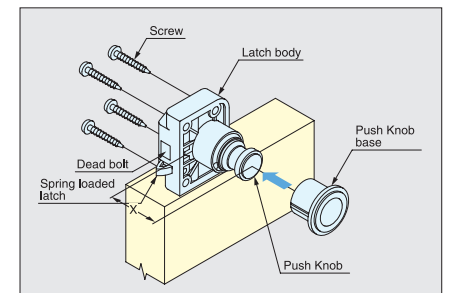
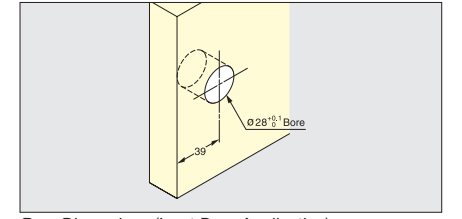
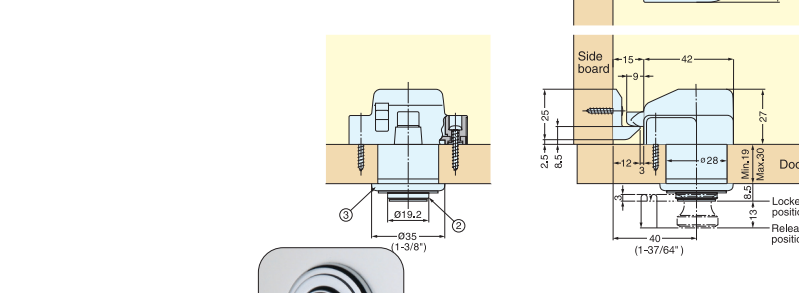
Item No.	Finish	Strike Type	Retaining Force (kg)	Weight (g)	Box (pcs)	Carton (pcs)
MC-37/BLK-1	Black	Floating	8 (17.6 lbs)	24	30	300
MC-37/BRN-1	Brown	Floating				
MC-37/WHT-1	White	Floating				
MC-37/BLK	Black	Fixed				

No.	Part Name	Material	Color
①	Body	ABS	Black (BLK) Brown (BRN) White (WHT)
②	Arm	Polyacetal	
③	Strike	Polyamide	

PUSH KNOB LATCH



- Knob and Latch combined:
 - Knob is stored flush when pushed in and not in use.
 - Knob pops out when pressed to open the door.
 - Latch securely locks the door with deadbolt.
- Door Thickness: 19 mm~30 mm (3/4" ~ 1-3/16").
- Holding Force: 20 kg (44 lbs)
- Non-Handed: Can be installed on left or right side.
- Order Instructions:
 - Order Latch Body (TLP-LBM/WHT) and Push Knob (TLP- BB/XX) for complete set.



Supplied with 2 threaded screws (L=24mm and 30mm).

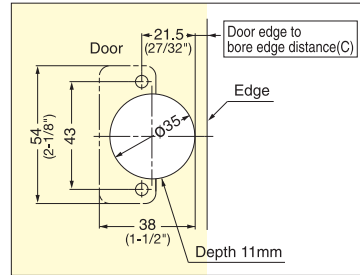
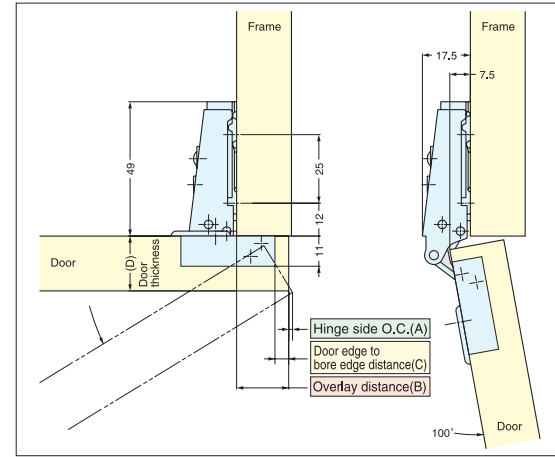
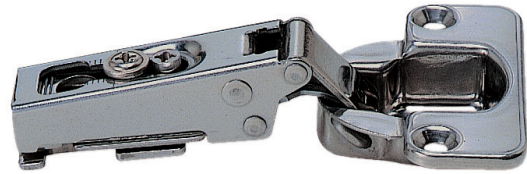
Item No.	Part Name	Holding Force (kg)	Weight (g)	Box (pcs)	Carton (pcs)
TLP-BB/SB	Push Knob and Base	20 (44 lbs)	77	25	200
TLP-BB/SN					
TLP-BB/PB					
TLP-BB/CR	Latch Body		33	10	100

No.	Part Name	Material	Finish/Color	
			Knob	Latch
①	Latch Body	Polyamide	Satin Brass (SB) Satin Nickel (SN) Polished Brass (PB) Chrome (CR)	White
②	Push Button	Brass		
③	Push Button Base	Zinc Alloy		

CONCEALED HINGE (19mm OVERLAY)



304B-46/19, C46/19



Bore Dimensions

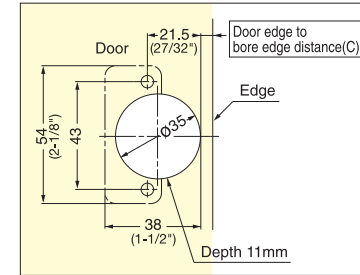
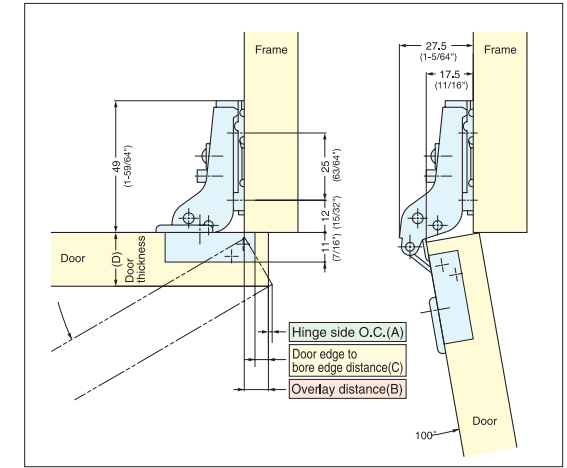
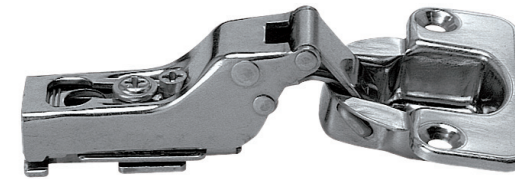
Item No.	Type	Weight (g)	Carton (pcs)
304B-46/19	Free Swinging	60	200
304B-C46/19	Self-Closing		

Material	Finish
304 Stainless Steel	Polished

CONCEALED HINGE (9mm OVERLAY)



304B-46/9, C46/19



Bore Dimensions

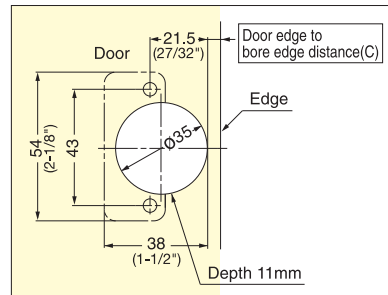
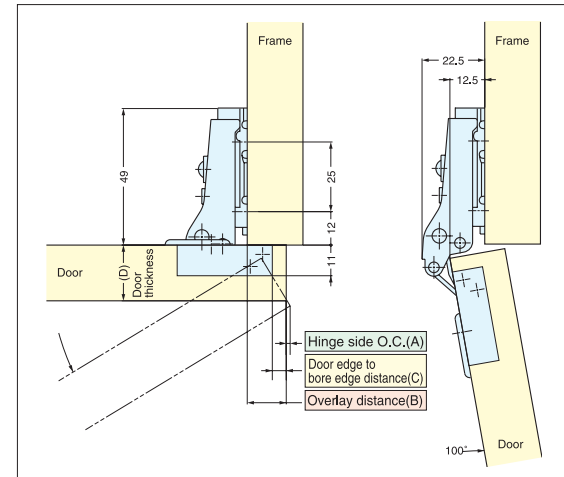
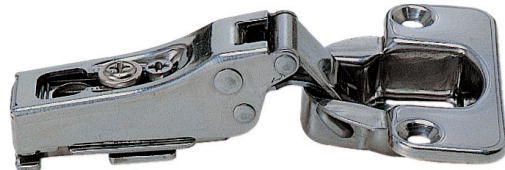
Item No.	Type	Weight (g)	Carton (pcs)
304B-46/9	Free Swinging	60	200
304B-C46/9	Self-Closing		

Material	Finish
304 Stainless Steel	Polished

CONCEALED HINGE (14mm OVERLAY)



304B-46/14, C46/14



Bore Dimensions

Item No.	Type	Weight (g)	Carton (pcs)
304B-46/14	Free Swinging	60	200
304B-C46/14	Self-Closing		

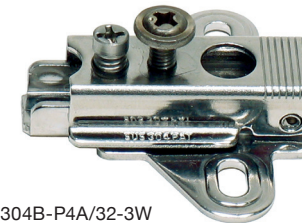
Material	Finish
304 Stainless Steel	Polished

MOUNTING PLATE

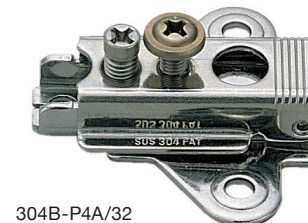


304B-P3A, P4A/32, P4A/32-3W

• Mounting plate for 304B hinges.



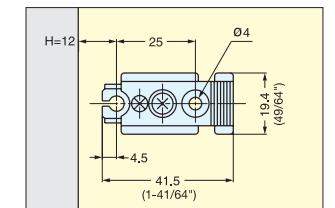
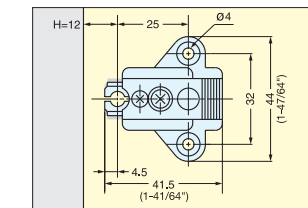
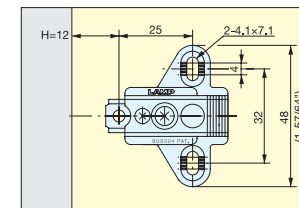
304B-P4A/32-3W



304B-P4A/32



304B-P3A



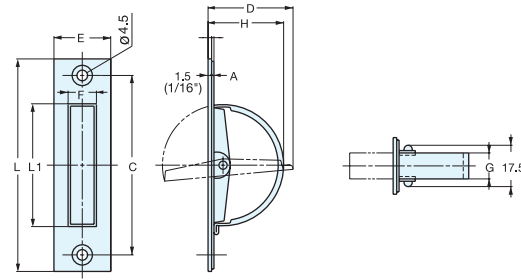
Item No.	Weight (g)	Carton (pcs)
304B-P3A	40	400
304B-P4A/32		
304B-P4A/32-3W		

Material	Finish
304 Stainless Steel	Polished

HATCH PULL



• The handle is concealed when not in use to stay out of the way.



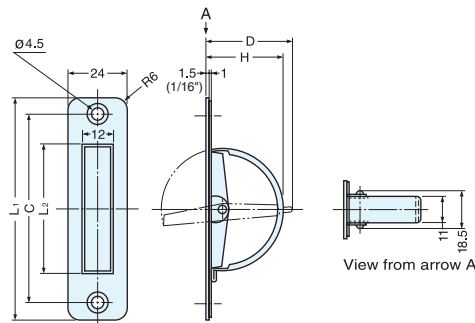
Item No.	L	L ₁	C	H	D	A	E	F	G	Material	Finish
HR-90	90 (3-35/64")	52 (2-3/64")	76 (2-63/64")	32 (1-17/64")	36 (1-27/64")	1.0	24 (15/16")	12.0	11	304 Stainless Steel	Satin
HR-110	110 (4-21/64")	64 (2-33/64")	94 (3-45/64")	38 (1-1/2")	42 (1-21/32")						
HR-135	135 (5-5/16")	90 (3-35/64")	115 (4-17/32")	50 (1-31/32")	55 (2-11/64")	1.2	25 (63/64")	12.2	12		

Item No.	Load Capacity (kg)	Weight (g)	Box (pcs)	Carton (pcs)	Screw
HR-90	13.0 (28.0 lbs)	49	30	300	3.5 x 22
HR-110	10.0 (22.0 lbs)	59	20	200	3.5 x 25
HR-135	7.5 (16.5 lbs)	88	15	150	

HATCH PULL



• The handle is concealed when not in use to stay out of the way.



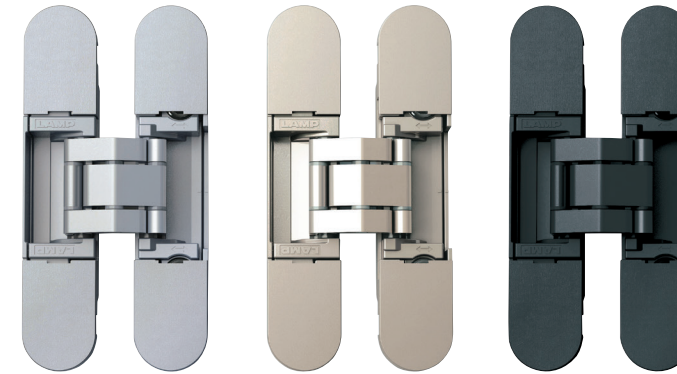
Material	Finish
304 Stainless Steel	Satin

Item No.	L ₁	L ₂	C	H	D	Load Capacity (kg)	Weight (g)	Box (pcs)	Carton (pcs)
HR-90R	90 (3-35/64")	52 (2-3/64")	76 (2-63/64")	32 (1-17/64")	36 (1-27/64")	13 (28 lbs)	46	30	300
HR-110R	110 (4-21/64")	64 (2-33/64")	94 (3-45/64")	38 (1-1/2")	42 (1-21/32")	10 (22 lbs)	55	20	200

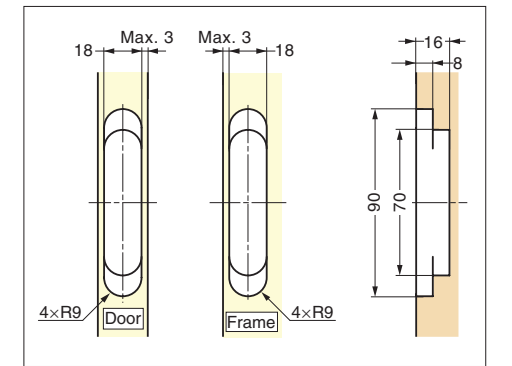
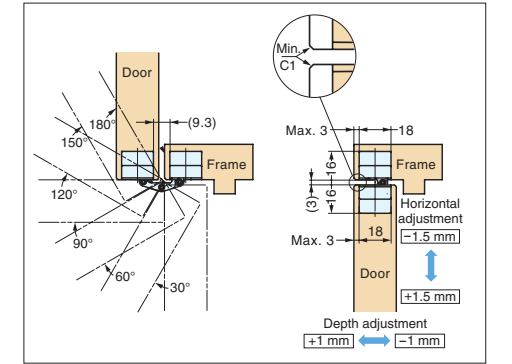
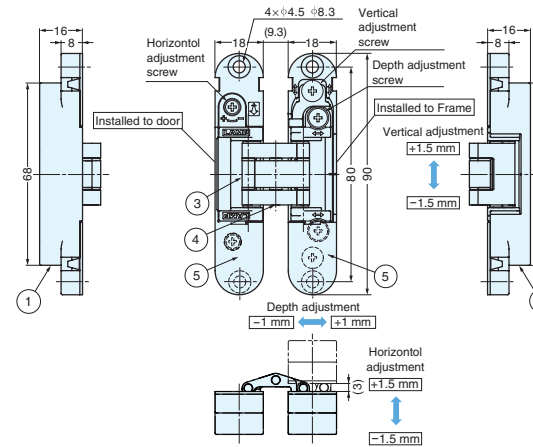
3-WAY ADJUSTABLE CONCEALED HINGE



- 3-WAY adjustment function allows vertical, horizontal, and depth adjustment.
- Covers hide all screw heads for clean appearance.
- Hinge leaves separate for easy installation and adjustment.
- Door weight: Max. 12 kg (26 lbs)/2 pcs, 16 kg (35 lbs)/3 pcs
- Door thickness: Min. 23 mm (15/16")
- Max door size: H 1500 mm x W 600 mm (59-1/16" x 23-5/8")
- Includes steel countersunk wood screws.



HES3D-90DC HES3D-90DN HES3D-90BL



Cut Out Dimensions

No.	Part Name	Material	Finish/Color		
			DC	DN	BL
①	Body	Zinc Alloy	Dull Chrome	Dull Nickel	Black
②	Base Frame				
③	Arm	Stainless Steel	-	-	-
④	Shaft				
⑤	Cover	ABS	Dull Chrome	Dull Nickel	Black

Item No.	Finish	Min. Door Thickness	Weight (g)	Box (pcs)	Carton (pcs)
HES3D-90DC	Dull Chrome	23 (15/16")	198	2	48
HES3D-90DN	Dull Nickel				
HES3D-90BL	Black				

LIFT-ASSIST LID STAY with soft close (top opening)



ARN-2

- Smooth door movement. It is specially designed for use with the OLYMPIA concealed hinge (360-D26-19).
- The lift-assist function allows for light opening of doors.
- Board thickness Min:9/16" (15mm) ~ Max:7/8" (22mm)
- The free-stop function enables doors to hold in position (30°-Max.).
- The soft-close function makes doors close gently (0°-30° degrees).
- Integrated design combines a concealed hinge and lid stay.
- Closing speed of doors is adjustable.



THE OLYMPIA HINGE
With 5-level damper function, part of the Aileron soft-opening system.

Damper power adjustment lever

5-speed adjustable soft close.
The first Sugatsune concealed hinge ever built with Lapcon technology.

Components for a single door		
	Aileron	1
	Mounting plate for Aileron	1
	Olympia Concealed Hinge	2
	Mounting plate for Olympia	1
	Screws	16
Olympia 8	Aileron 6	Aileron 2

Lift-assist	Free stop	Soft close
Allows for light opening of doors	Enables doors to hold in position (30°-Max.).	Built-in damper makes doors close slowly.
Light opening	Holds in position	Gently closing

Item No.	Torque (kg-cm)	Board Thickness (mm)	Weight (g)	Box (pcs)	Carton (pcs)
ARN-2-M-S	40.8~61.2 (35.4~53.1 lbs-in)	Min:15mm (9/16") Max: 22mm (7/8")	703	1	10
ARN-2-H-S	61.2~81.6 (53.1~70.8 lbs-in)				

Material	Finish/Color
Steel, Zinc Alloy	Nickel
Plastic	Grey

LIFT-ASSIST LID STAY with soft close (upward opening)



ARN-3

- Smooth door movement. It is specially designed for use with the OLYMPIA concealed hinge (360-D26-19).
- The lift-assist function allows for light opening of doors.
- Board thickness Min:9/16" (15mm) ~ Max:7/8" (22mm)
- The free-stop function enables doors to hold in position (30°-Max.).
- The soft-close function makes doors close gently (0°-30° degrees).
- Integrated design combines a concealed hinge and lid stay.
- Closing speed of doors is adjustable.



Components for a single door		
	Aileron	1
	Mounting plate for Aileron	1
	Olympia Concealed Hinge	2
	Mounting plate for Olympia	1
	Screws	16
Olympia 8	Aileron 6	Aileron 2

Lift-assist	Free stop	Soft close
Allows for light opening of doors	Enables doors to hold in position (30°-Max.).	Built-in damper makes doors close slowly.
Light opening	Holds in position	Gently closing

Item No.	Torque (kg-cm)	Board Thickness (mm)	Weight (g)	Box (pcs)	Carton (pcs)
ARN-3-M-S	40.8~61.2 (35.4~53.1 lbs-in)	Min:15mm (9/16") Max: 22mm (7/8")	703	1	10
ARN-3-H-S	61.2~81.6 (53.1~70.8 lbs-in)				

Material	Finish/Color
Steel, Zinc Alloy	Nickel
Plastic	Grey

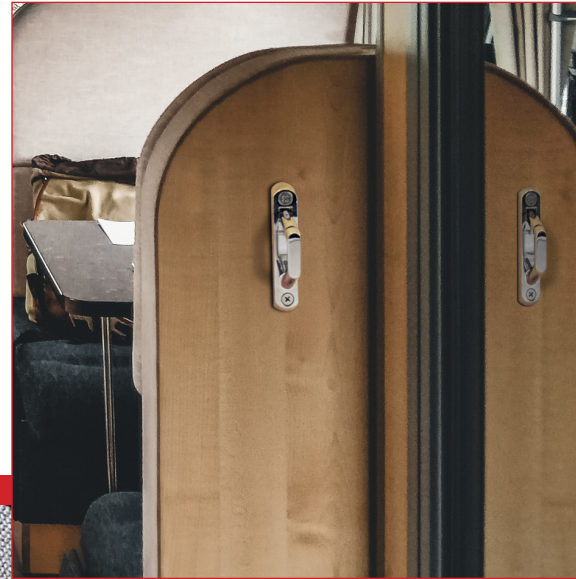
HOOKS



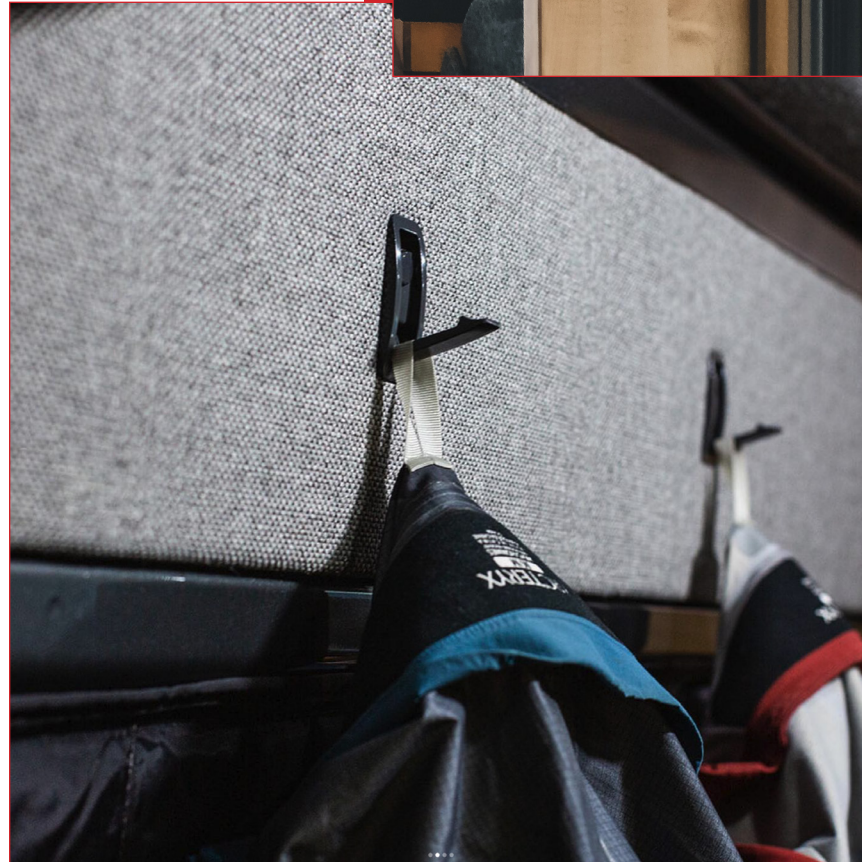
Latch Hooks
EN-R80, EN-K



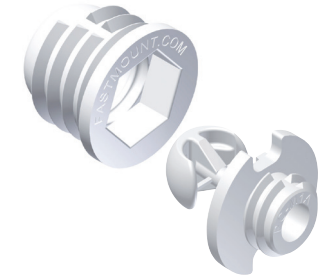
Recessed Hooks
NF-60D



Recessed Hooks
NF-47



Recessed Hooks
NF-45D (Soft Close)



Fastmount®
Standard Profile



Fastmount®
Textile Clips



Fastmount®
Metal Range Clips



Sugatsune America
18101 Savarona Way,
Carson, CA 90746



sugatsune.com

1.888.557.5267